

KAUTZ
TECHNOLOGIES GMBH

HYDRAULIC CYLINDERS

OIL !?

Are you loosing it ?!

No Problem!

OUR COMPANY

For more than 30 years **KAUTZ Technologies GmbH** has gained international reputation in the general field of steel plant technology - one of them is hydraulic cylinders. Kautz Technologies GmbH designs and fabricates new hydraulic cylinders for numerous applications.

As after sales service, we offer maintenance and repair services for hydraulic cylinders from our own line as well as cylinders of foreign origin.

STEEL PLANT

SPECIAL CYLINDERS

mobile hydraulics

excavator equipment and vehicles

production plants

industrial laundry presses, sawmills

infrastructure

ship-lift hydraulics tunneling and mining

CYLINDER SERVICE



CYLINDERS IN STEEL PLANTS

Based on many years of experience in the design and supply of specialty cylinders, we at KAUTZ Technologies GmbH were able to develop our own line of robust hydraulic cylinders for any steel plant operation.

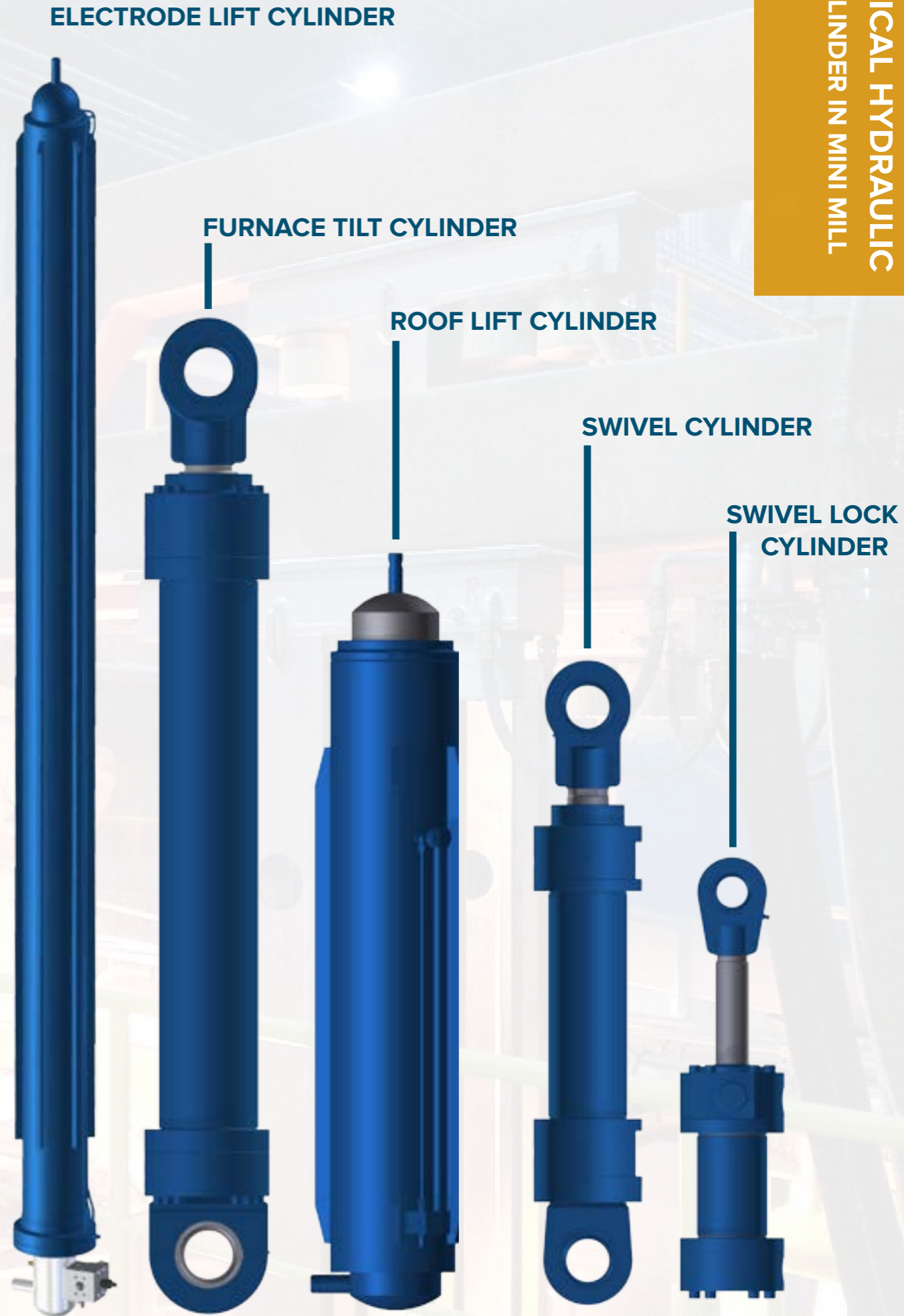
Kautz cylinders for steel plants are specifically designed for long life and the harsh environment cylinders are exposed to in a typical EAF and LMF/LF operation.

Dependability is a primary demand for any steel plant solutions. Leaking at malfunctioning hydraulic cylinders will lead to reduced productivity and financial losses.

CYLINDER SPECIFICATION *

	Pressure [bar/PSI]	Piston Ø up to [mm]	Rod Ø up to [mm]	Stroke up to [mm]	Application	Special Feature
Electrode Lift Cylinder	350 / 5,000	250	250	6,000	lifting and lowering of graphite electrodes	
Roof Lift Cylinder	350 / 5,000	450	450	900	lifting of furnace roof	measuring system
Swivel Cylinder	350 / 5,000	250	180	1300	swiveling of furnace gantry	measuring system
Furnance Tilt Cylinder	350 / 5,000	450	250	6,000	tilting of tilt platform	shut off block valve
Swivel Locking Device	160 / 2,300	80 / 100	45 / 56	100 / 200	blocking of gantry against swiveling	

* Other dimensions available on request



SPECIAL CYLINDERS

Larger, **stronger**, more specific.

No challenge is too big, no application too specific. True to this motto KAUTZ Technologies GmbH produces special cylinders where standard cylinders do not offer the right solution.



Service on special cylinders



Cylinders for press in industrial laundry plant



Water-cooled plunger cylinder with measuring system and oil-cooled rod

EXAMPLES SPECIAL CYLINDERS

Drive cylinder for tunneling

Our Telescope Drive Cylinders are also being used in many mining applications.

nominal pressure: 420 bar
 piston-Ø: 305/254 mm
 rod-Ø: 290/254 mm
 stroke: 2500 mm
 type of cylinder: telescope cylinder

	min value	max value
nominal pressure	100 bar / 1450 PSI	350 bar / 5080 PSI
piston - Ø	16 mm	840 mm
rod - Ø	12 mm	530 mm
stroke	11,5 mm	8500 mm

* Other dimensions available on request



Cylinder for hydraulic press

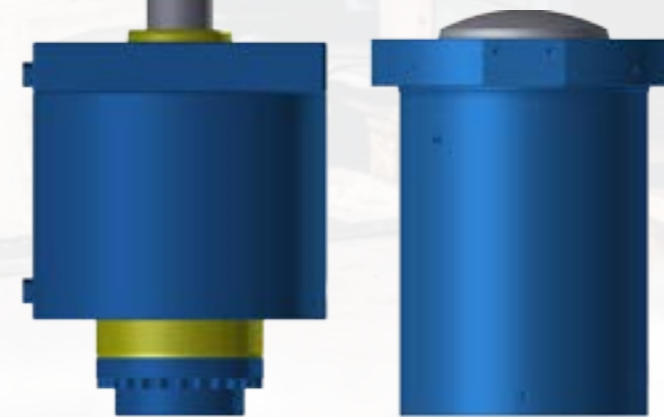
Control cylinder for straightening machine.

nominal pressure: 140 bar
 piston-Ø: 280 mm
 rod-Ø: 80 mm
 stroke: 38 mm
 special feature: spherical bearing

Cylinders for ship lifting

Cylinders in series for ship lift devices.

nominal pressure: 250 bar
 piston-Ø: 380 mm
 rod-Ø: 320 mm
 stroke: 300 mm
 special features:
 Sea water resistant painting. Cylinder rod nickel plated and hard chromed





PLANT I

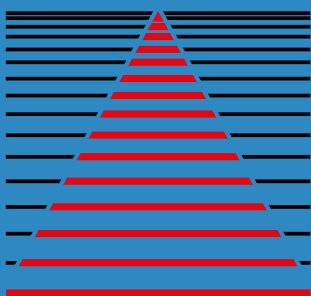
Reithallenstrasse 5
77731 Willstätt – Legelshurst

Phone: +49 (0) 78 52 / 91 59 - 0

PLANT II

Zunftstrasse 20
77694 Kehl – Marlen

Phone: +49 (0) 78 54 / 1 86 - 0



KAUTZ

TECHNOLOGIES GMBH

Engineering meets reality!

www.kautz.eu /// info@kautz.eu